

# YAMAHA NS-10MM

## Natural Sound 2-way Acoustic-suspension Speaker System

Thank you for selecting this Yamaha NS-10MM speaker system.

### PRECAUTIONS

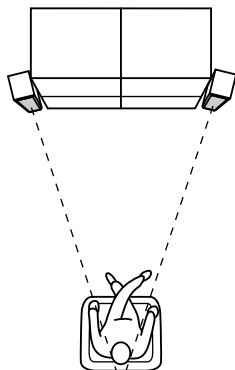
Read these precautions carefully before using your speaker.

- Any time you note distortion, reduce the volume control on your amplifier to a lower setting. Never allow your amplifier to be driven into "clipping". Otherwise the speaker may be damaged.
- When using an amplifier with a rated output power higher than the nominal input power of the speaker, care should be taken never to exceed the speaker's maximum input.
- Do not attempt to clean the speaker with chemical solvents as this might damage the finish. To clean, wipe with a dry, soft cloth.
- To prevent the enclosure from warping or discoloring, do not place the speaker where it will be exposed to direct sunlight or excessive humidity.
- Do not place the speaker where it is liable to be knocked over or struck by falling objects. Stable placement will also ensure better sound performance.
- Placing the speaker on the same shelf or rack as the turntable can result in feedback.
- This speaker system is designed for home use only. Never use this speaker system inside a car.
- **Secure placement or installation is the owner's responsibility.**  
YAMAHA shall not be liable for any accident caused by improper placement or installation of the speaker.

### PLACING THE SPEAKERS

#### ■ TO STAND THE SPEAKERS

- Place the speakers on a sturdy, vibration-free surface. If you cannot obtain good bass quality when the speakers are placed directly on the floor, insert a block etc. between the speakers and the floor.
- Better stereo images will be obtained when the speakers are slightly angled in towards the listeners.

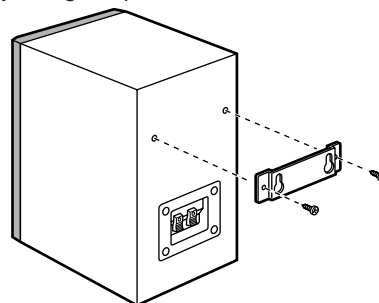


#### Note

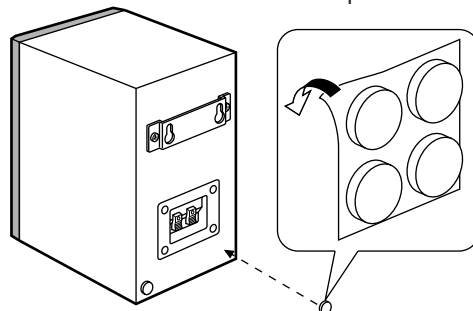
Because this speaker is not a magnetic shielding type, there may be some influence on a TV picture depending on the type of TV or the placement of the speaker. In such a case, place the speaker apart from the TV so that there is no influence on TV picture.

#### ■ TO MOUNT THE SPEAKERS ON A WALL

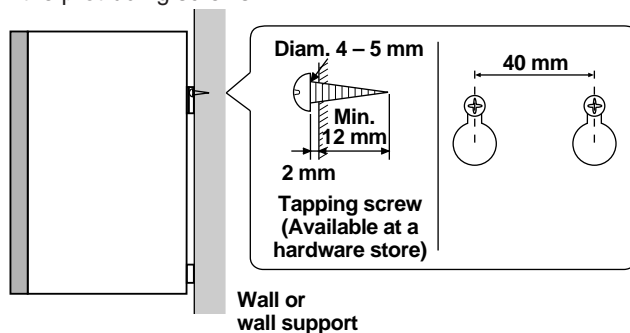
- ① Attach the provided mounting bracket to the rear of the speaker by using the provided screws.



- ② Remove the provided pads from the paper, and put the pads at both ends on the lower side of the speaker.



- ③ Fasten screws into a firm wall or wall support as shown in the diagram, and hang the holes of the mounting bracket on the protruding screws.



- ④ Make sure that the screws are caught by a narrow part of the holes securely.

#### WARNING:

- \* Each speaker weighs 1.5 kg (3 lbs. 5 oz.). Do not mount them on thin plywood or soft wall surface material, as the screws may come out of the flimsy surface, causing the speakers to fall down and be damaged, or result in personal injury.
- \* Do not fasten the speakers to wall with nails, adhesives, or other unsound hardware. Long-term use and vibrations may cause them to fall down.
- \* To avoid accidents resulting from tripping over loose speaker cables, fix them to the wall.

## CONNECTION TO YOUR AMPLIFIER

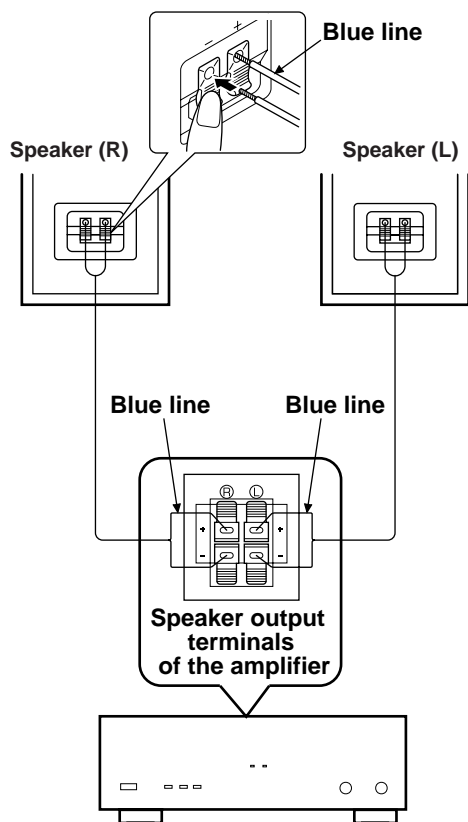
**BEFORE MAKING CONNECTIONS, MAKE SURE THAT THE AMPLIFIER IS SWITCHED OFF.**

### ■ CONNECTIONS

- Connect the push-type input terminals at the rear of the speakers to the speaker output terminals of your amplifier with the provided speaker cables.
- One side of the speaker cable is marked by a blue line. Connect the (+) terminals on both the amplifier and the speakers using this blue-marked side. Connect the (-) terminals on both components using the unmarked side of the cable.
- Connect one speaker to the left (marked L) terminals of your amplifier, and another speaker to the right (marked R) terminals, making sure not to reverse the polarity (+, -). If one speaker is connected with reversed polarity, the sound will be unnatural and lack bass.

Procedures:

- ① Press the tab on the terminal down, as shown in the figure.
- ② Insert the bare speaker wire end properly into the terminal hole. [Remove approx. 5 mm (1/4") insulation from the speaker cable.]
- ③ Remove your finger from the tab to allow it to lock snugly on the cable's wire end.
- ④ Test the security of the connection by tugging lightly on the cable at the terminal.

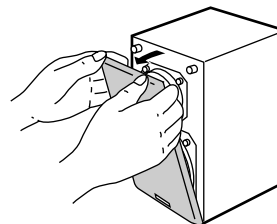


### Note

Do not let the bare speaker wires touch each other as this could damage the speaker and/or the amplifier.

## REMOVING THE FRONT COVER

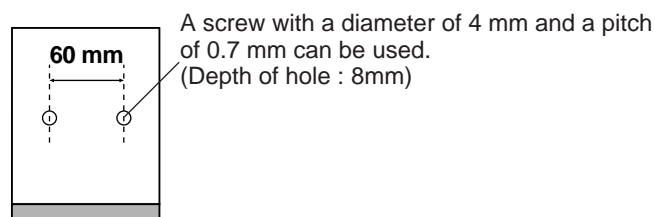
The front cover is fastened to the enclosure at four points, and can be removed if desired. To remove the cover, hold on to both sides and slowly pull straight away from the speaker. To reattach, line up the four holes on the inside surface of the cover with the four corresponding pegs on the speaker and push gently.



### Note

When the cover is removed, take care not to touch the speaker units with your hands or to exert excessive force with tools.

You can also use the screw holes on the bottom of the speaker for installing the speakers (if you not use the provided mounting brackets).



## SPECIFICATIONS

Type .....	2-way acoustic-suspension speaker system
Speaker Unit .....	9 cm cone woofer 2.5 cm tweeter
Input Terminal .....	Push-type
Nominal Impedance .....	6 ohms
Frequency Response .....	100 Hz – 20 kHz
Nominal Input Power .....	40W
Maximum Input Power .....	100W
Sensitivity .....	88 dB/w/m
Crossover Frequency .....	5 kHz
Dimensions (WxHxD) .....	107 x 191 x 140 mm (4-3/8" x 7-1/2" x 5-1/2")
Weight .....	1.5 kg (3 lbs. 5 oz.)
Accessories .....	Speaker cable (10m) x 2 Mounting bracket x 2 Screw x 4 Pad x 4

\* Specifications subject to change without notice due to product improvements.

\* Care should be taken not to exceed the input power values noted above.

**YAMAHA**  
YAMAHA CORPORATION  
VU 94700